

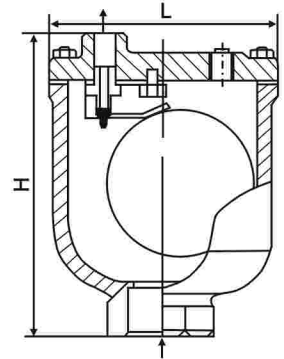
Product introduction

Air Release Valves function to release air pockets that collect at each high point of a full pressured pipeline. Air Release Valves can open against internal pressure, because the internal lever mechanism multiplies the float force to be greater than the internal pressure. This greater force opens the orifice whenever air pockets collect in the valve. Air Release Valves are essential for pipeline efficiency and water hammer protection

ARVX Micro air exhaust valve

Main part matrial

No.	Name	Material
1	Bonnet	Cast Iron
2	Seat ring	Cast Iron
3	Yoke	Stainless steel
4	Plug	NBR
5	Stem	Stainless steel
6	ball	Stainless steel
7	Body	Stainless steel
8	Bolt	Stainless steel



Specification

Nominal pressure	Suitable medium	Working pressure
1.6MPa	Water	70-95°C

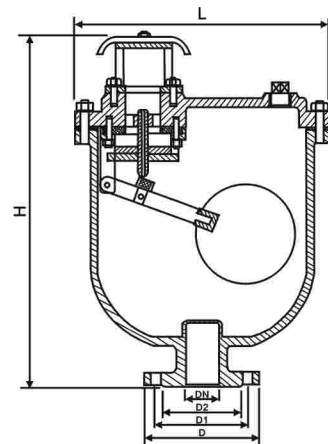
Main Dimension

规格DN (mm)	G	出口尺寸	排气口尺寸 (mm)	Φ	H
15	1/2	1/4	1.6	125	127
20	3/4	1/4	1.6	125	127
25	1"	1/4	1.6	125	127

CARX Combination Air Release Valves

Main part matrial

No.	Name	Material
1	Body	Cast Iron
2	Bonnet	Cast Iron
3	ball	Stainless steel
4	Yoke	Stainless steel
5	Yoke	Brass
6	Plug	Stainless steel



Main Dimension

公称通径 DN(mm)	D	D1	D2	L	L1	H	Z-Φd
50	160	125	102	325	205	450	4-14
80	195	160	138	365	235	500	4-18
100	215	180	158	385	258	535	8-18