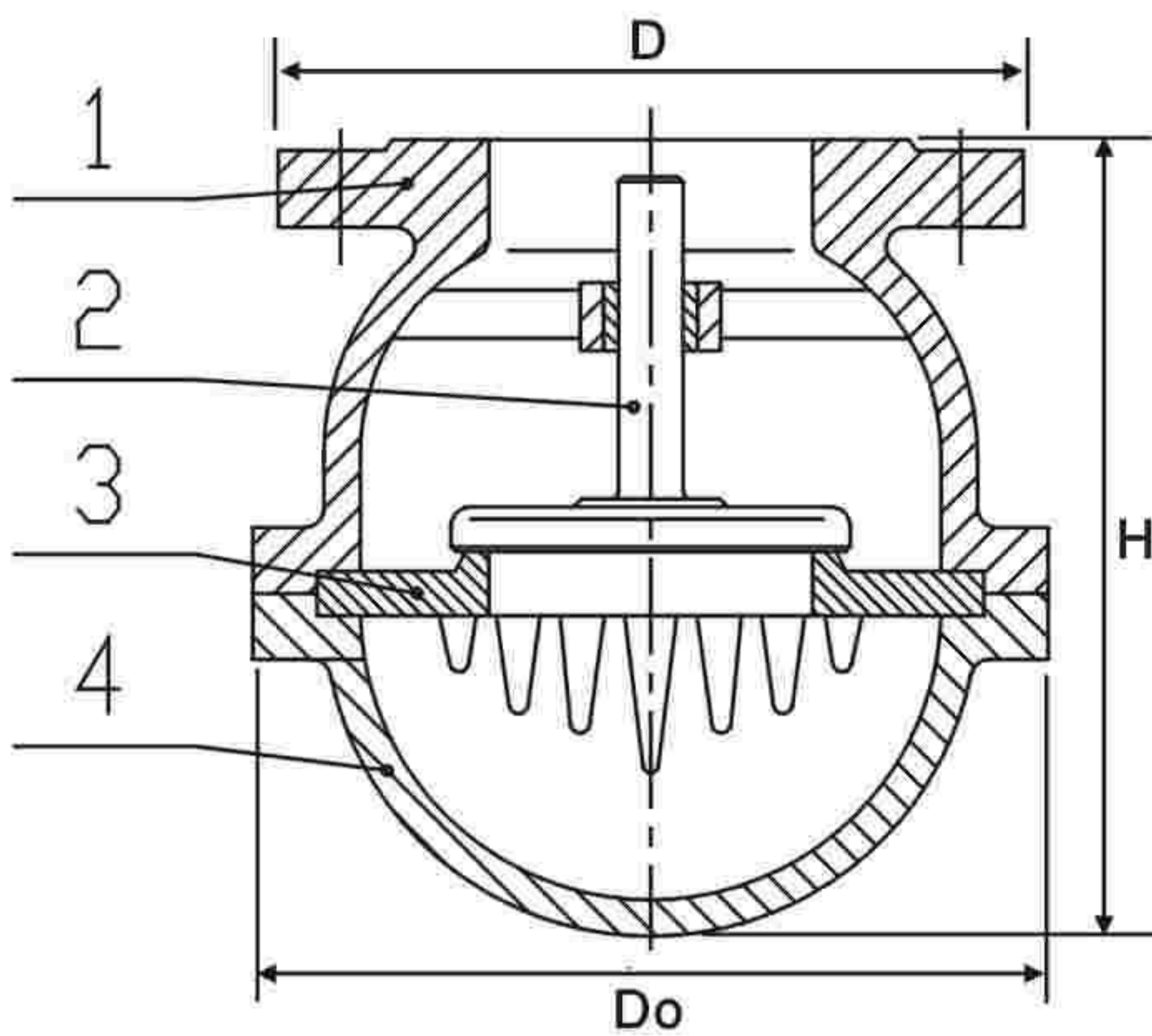


## Product introduction

Foot valve installs pump's inlet to prevent flow back. The cover design is screen, It bars the impurity into pipe.

## configuration drawing



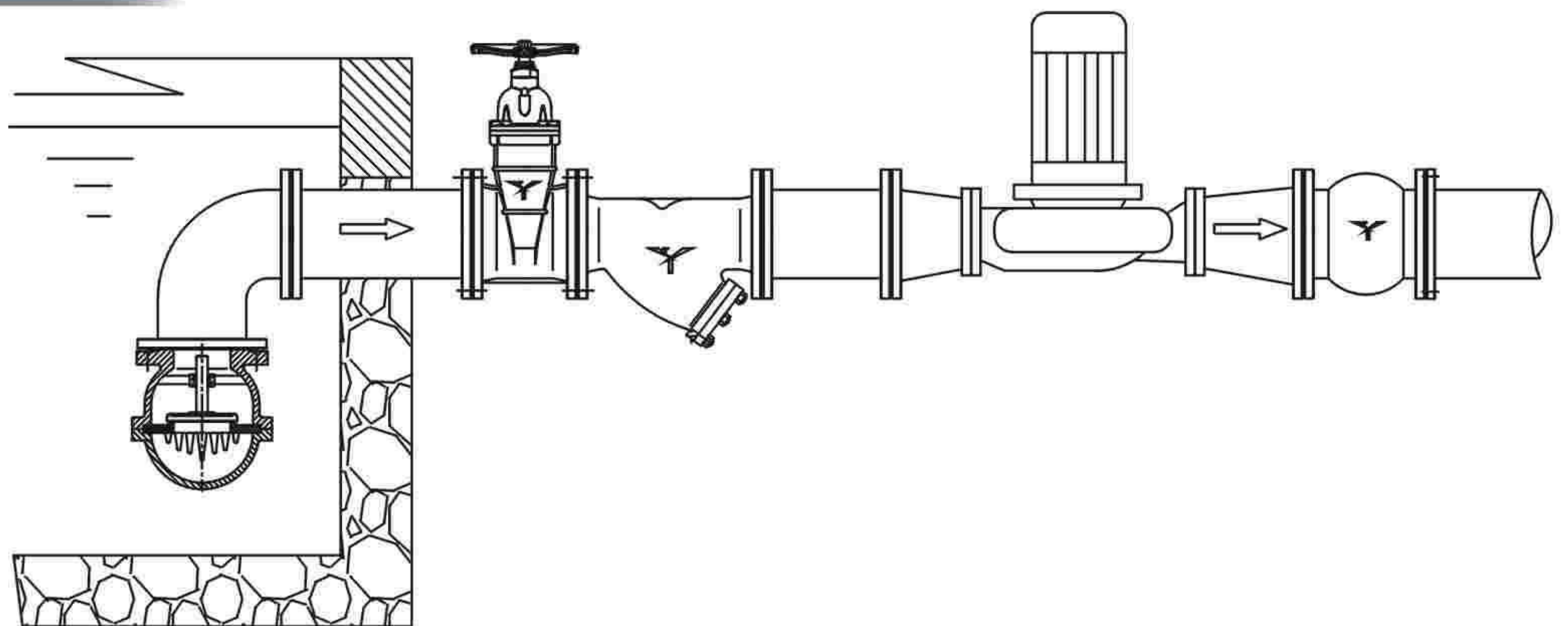
## Specification

Nominal pressure	1.0~2.5
Pressure test	GB/T13927-1992
Face to face dimension	GB/T1221-1989
阀门标志	GB/T1220-1989
Working pressure	≤80℃
Suitable medium	water, sewage, seawater

## Main part material

Number	Name	Material
1	Body	Cast Iron, Ductile Iron, Carbon steel, Stainless steel
2	Disc	Carbon steel, Stainless steel
3	Seat ring	Carbon steel, Stainless steel
4	Bonnet	Cast Iron, Ductile Iron, Carbon steel, Stainless steel

## Installation drawing



## Main Dimension

公称通径DN (mm)	50	65	80	100	150	200	250	300	350	400	450	500	600	700	800	900	1000
D	140	160	185	205	260	320	375	440	490	540	595	645	755	860	975	1075	1175
Do	145	170	195	215	280	370	390	497	580	620	705	715	890	980	990	1230	1450
H	105	150	190	210	270	360	410	500	610	670	710	715	930	1050	1060	1380	1670