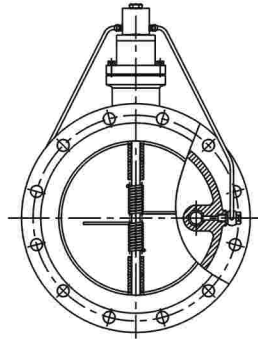
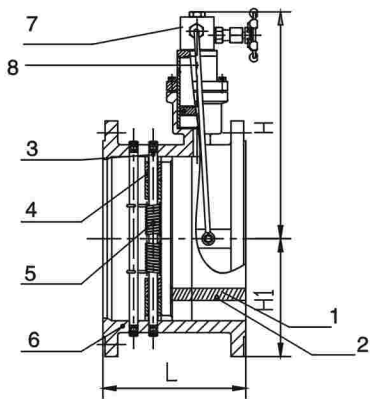


Product introduction

Be suitable for the drainage pipes of rinsing, sewage and seawater etc. mediums. It cannot only avoid the reflux of the medium, but also can effectively avoid the water hammer in order to ensure the safety of pipe in use. Be equipped with a three way valve controlled by two float balls. Exactly control the water line by the way of full-open and full-close in order to prevent the overflow.

configuration drawing



Specification

Nominal pressure	1.0~2.5
Pressure test	GB/T13927-1992
Face to face dimension	GB/T1221-1989
	GB/T1220-1989
Working pressure	≤80℃
Suitable medium	Water, weak-corrosive medium

Main part material

Number	Name	Material
1	Cylinder	Stainless steel
2	Piston	Stainless steel
3	Stem	Stainless steel
4	Disc	Carbon steel, Stainless steel
5	Spring	Stainless steel
6	Body	Cast Iron, Ductile Iron, Carbon steel, Stainless steel
7	Needle globe valve	Carbon steel, Stainless steel
8	TUBE	Stainless steel

Main Dimension

公称通径DN (mm)	50	65	80	100	125	150	200	250	300	350
L(mm)	150	170	180	190	200	210	230	250	270	290
H(mm)	205	230	255	280	290	310	350	415	450	480
H1(mm)	85	95	105	130	148	172	210	240	264	297
公称通径DN (mm)	400	450	500	600	700	800	900	1000	1200	1600
L(mm)	310	330	350	390	430	470	510	550	630	730
H(mm)	550	585	640	720	780	840	990	1050	1210	
H1(mm)	324	351	379	434	491	549	600	655	770	

Installation drawing

