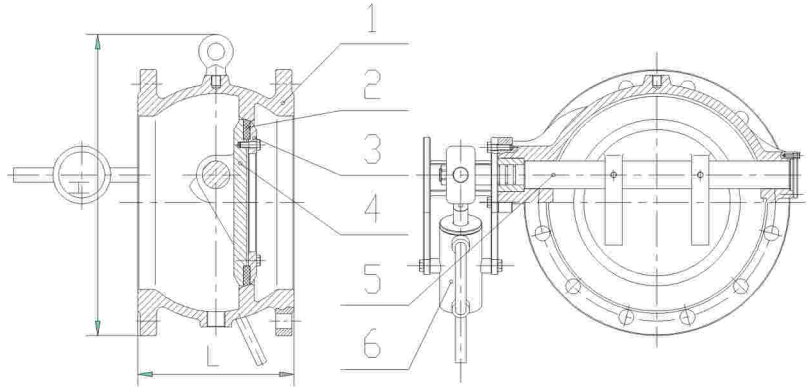
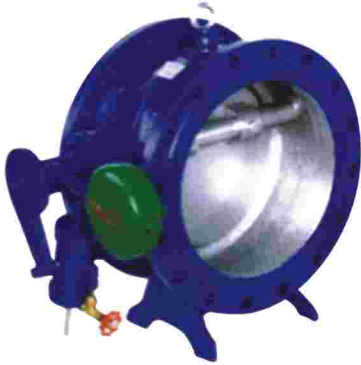


Product introduction

Be installed at the exit of the water supply and drainage pipes in industries and water transfer pump in sewage disposal works to avoid the refluece of the medium and the water hammer in order to protect the pump and the pipeline.

configuration drawing



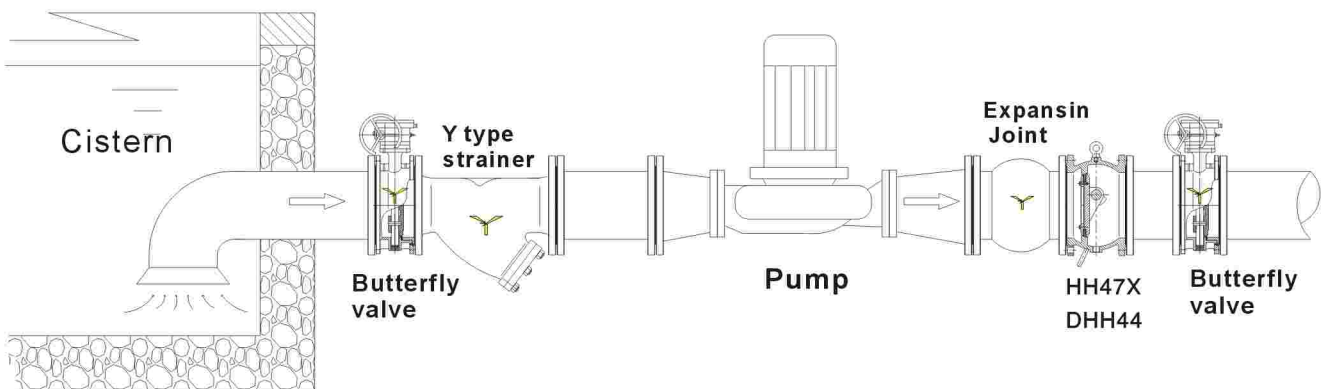
Main part matrial

Number	Name	Material
1	Body	Cast Iron, Ductile Iron, Carbon steel, Stainless steel
2	Gasket	NBR, EPDM
3	Plate	Carbon steel
4	Disc	Carbon steel, Stainless steel
5	Stem	Stainless steel
6	Damper system	

Main part matrial

Number	Name	Material
1	Body	Cast Iron, Ductile Iron, Carbon steel, Stainless steel
2	Disc	Carbon steel, Stainless steel
3	Stem	Stainless steel
4	Damper system	

Installation drawing



Main Dimenstion

公称通径 DN (mm)	200	250	300	350	400	450	500	600	700	800	900	1000	1200	1400
A(mm)	230	250	270	290	310	330	350	390	430	470	510	550	630	710
H(mm)	550	630	690	780	860	910	980	1070	1220	1320	1430	1550	1800	1980