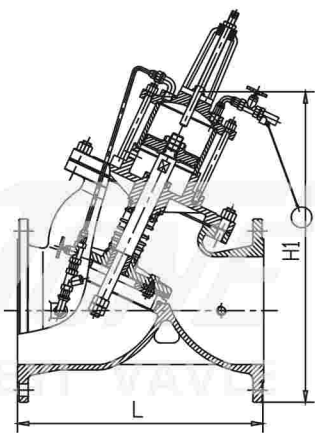


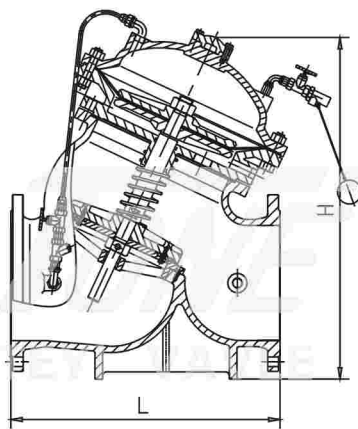
Product introduction

F745X floating ball remote control valve is a hydraulically-operated valve with many functions. It is installed at the inlet of pool or water tower. When the water level reaches the setting, the main valve controlled by the pilot valve, closes and stops supplying water; when the water level falls downward, the main valve controlled by the pilot valve, opens and supplies water to the pool. The water level is controlled precisely and is not interfered by the It is easy to maintain and inspect the valve. the valve is liable, of high strength and of smooth action and is for DN450 or less valve.

configuration drawing



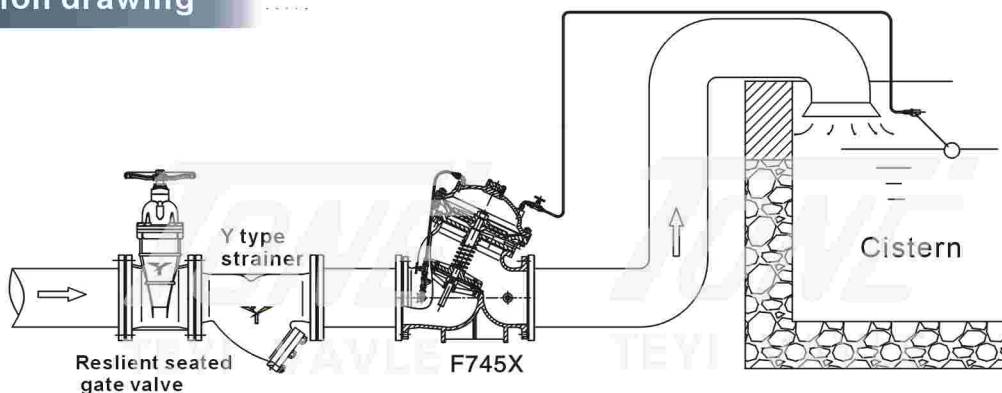
piston type



Diaphragm type



Installation drawing



Main Dimension

公称通径 DN (mm)	40	50	65	80	100	125	150	200	250	300
L(mm)	240	240	270	300	350	400	480	500	605	700
H(mm)	165	203	222	241	305	356	394	457	533	610
H1(mm)	270	270	340	400	440	460	500	640	690	820
公称通径 DN (mm)		293	328	364	418	481	543	673	729	927
公称通径 DN (mm)	350	400	450	500	600	700	800	900	1000	1200
L(mm)	800	900	900	1100	1150	1400	1500	1650	1800	2000
H(mm)	686	762	864	914	1067	1350	1450	2606	2765	2880
H1(mm)	950	1150	1180	1550	1600	1750	1900	2606	2765	2880
H1(mm)	957	1180	1218	1600	1800	2000	2300	2600	2700	2880