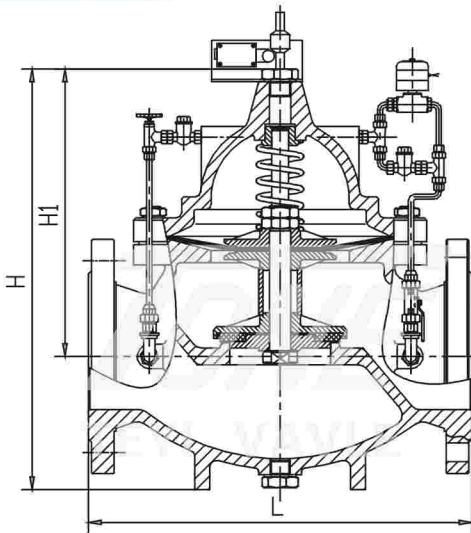


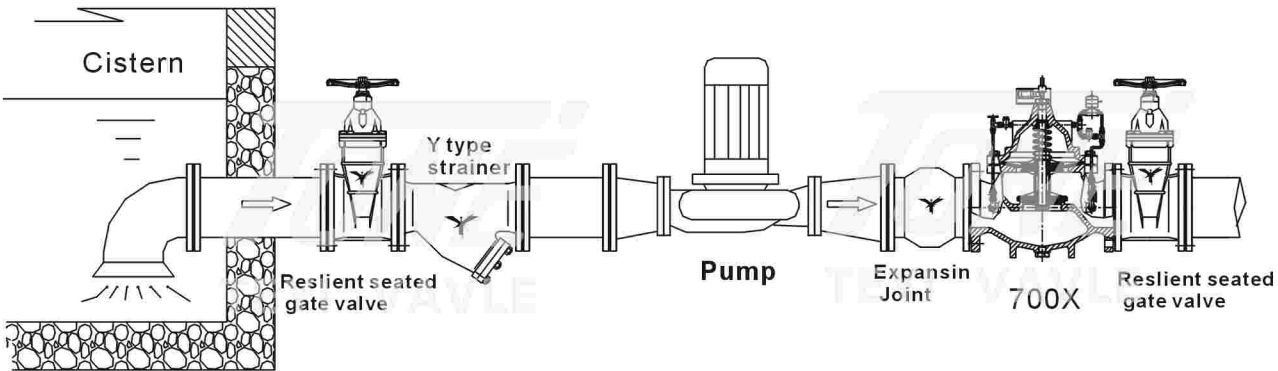
Product introduction

700X pump control valve is installed at the pump's outlet in high building and other feeding system to prevent fluid flowing backwards. Before the pump stops, the valve closes 90% or so ahead to prevent water-hammering and water-hitting at pump's instant stop; after the pump fully stop, the valve close fully to prevent the fluid flowing backwards at the outlet of the pump to protect the pump and prevent the pump turn backwards due to backward fluid.

configuration drawing



Installation drawing



Main Dimension

公称通径 DN (mm)	50	65	80	100	125	150	200
L(mm)	230	250	241	292	330	356	495
H(mm)	270	305	320	400	455	502	636
H1(mm)	200	210	220	260	310	342	413
公称通径 DN (mm)	250	300	350	400	450	500	600
L(mm)	622	698	787	900	978	1075	1230
H(mm)	750	913	913	1035	1035	1300	1370
H1(mm)	510	600	600	685	685	880	950