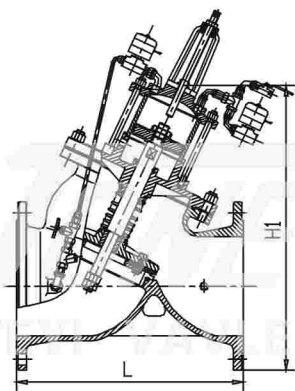




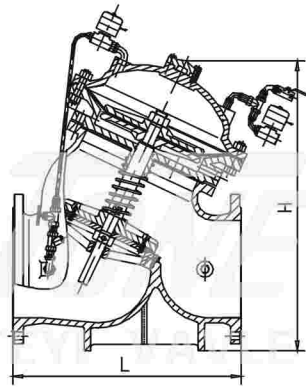
Product introduction

J145X Diaphragm type&piston type electric remote control valve is installed id all kinds of feeding water system' s pipeling and open or close the valve ty manual or electric signal.The valve' s control and reaction is precise and quick. The closing speed is adjustable and the valve can close smoothly not to induce pressure repercussions.It is easy to maintain with three phase solenoid valve.

configuration drawing



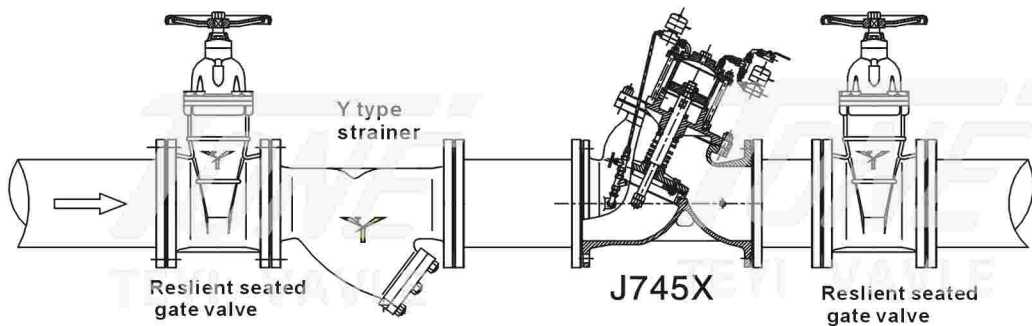
piston type



Diaphragm type



Installation drawing



Main Dimension

公称通径 DN (mm)	40	50	65	80	100	125	150	200	250	300
L(mm)	240	240	270	300	350	400	480	500	605	700
H(mm)	165	203	222	241	305	356	394	457	533	610
H1(mm)	270	270	340	400	440	460	500	640	690	820
H1(mm)		293	328	364	418	481	543	673	729	927
公称通径 DN (mm)	350	400	450	500	600	700	800	900	1000	1200
L(mm)	800	900	900	1100	1150	1400	1500	1650	1800	2000
H(mm)	686	762	864	914	1067	1350	1450			
H(mm)	950	1150	1180	1550	1600	1750	1900	2606	2765	
H1(mm)	957	1180	1218	1600	1800	2000	2300	2600	2700	2880