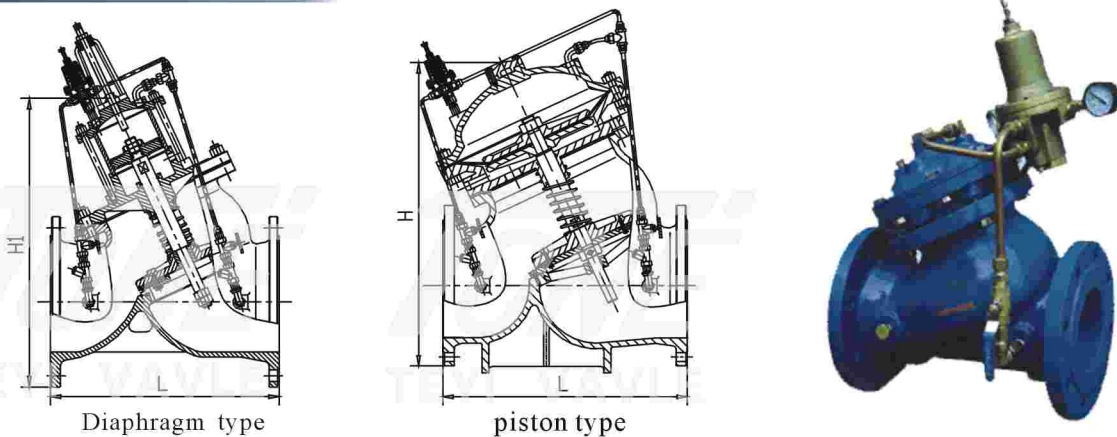


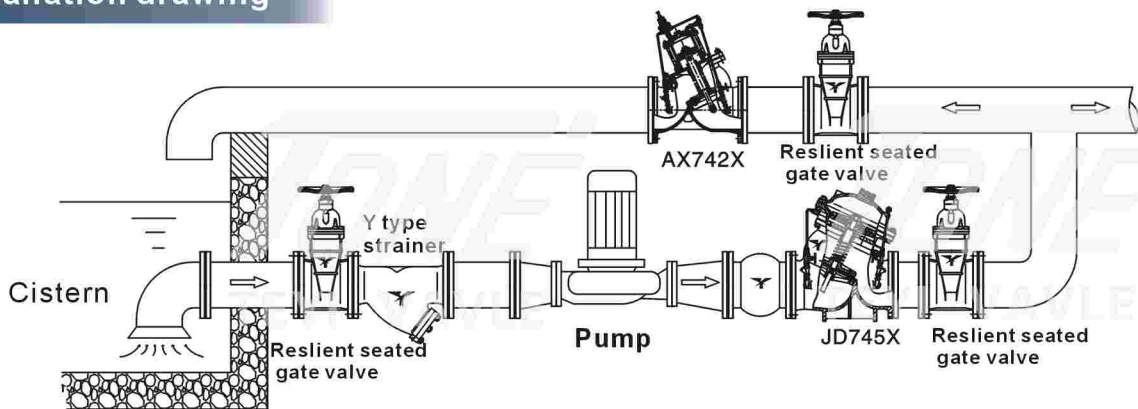
Product introduction

AX742X Diaphragm type pressure relieving/sustaining valve is installed in feeding water system's piping in high building, fire protection and other. When the line pressure is beyond the valve's setting pressure, the valve automatically opens to relieve pressure to ensure the piping is safe, and at the same time it can be used as pressure sustaining valve to ensure the upstream pressure is enough. The valve can provide fixed and unchanged setting pressure and once the pressure is over the valve opens quickly and relieve the over pressure. The valve can close stably and smoothly and prevent the pressure repercussions.

configuration drawing



Installation drawing



Main Dimension

公称通径 DN (mm)	40	50	65	80	100	125	150	200	250	300
L(mm)	240	240	270	300	350	400	480	500	605	700
H(mm)	165	203	222	241	305	356	394	457	533	610
H1(mm)	270	270	340	400	440	460	500	640	690	820
公称通径 DN (mm)	350	400	450	500	600	700	800	900	1000	1200
L(mm)	800	900	900	1100	1150	1400	1500	1650	1800	2000
H(mm)	686	762	864	914	1067	1350	1450	2606	2765	
H1(mm)	950	1150	1180	1550	1600	1750	1900	2606	2765	
H1(mm)	957	1180	1218	1600	1800	2000	2300	2600	2700	2880