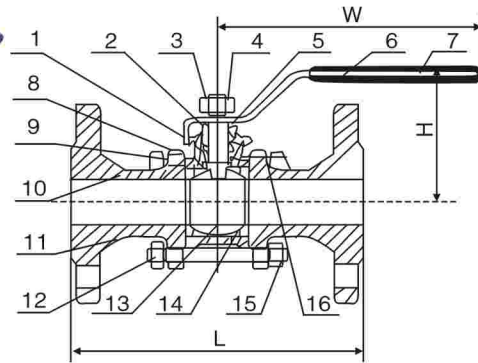


3-PC FLANGED BALL VALVE
Model:BF-3F(FULL BORE PN16/40 CLASS 150LB)



MATERIAL LIST

ITEM	DESIGNATION	MATERIAL
1	PLASTIC COVER	PLASTIC
2	HANDLE	304
3	GLAND NUT	304
4	STEM NUT	304
5	THRUST WASHER	304
6	STEM	304/316
7	STEM PACKING	PTFE
8	BODY	PTFE
9	BODY SEAL	PTFE
10	CAP	CF8/CF8M
11	BALL SEAT	RPTFE
12	BOLT	304
13	BALL	CF8M
14	BODY	CF8/CF8M
15	NUT	304
16	THRUST WASHER	304

Main outer size

Unit(mm)

Size	NPS	1/2"	3/4"	1"	1 1/4"	1 1/2"	2"	2 1/2"	3"	4"
	DN	15	20	25	32	38	50	65	75	100
L		130	150	160	180	200	230	290	310	350
H		75	95	90	110	130	140	170	180	250
W		130	140	140	170	200	220	350	350	550