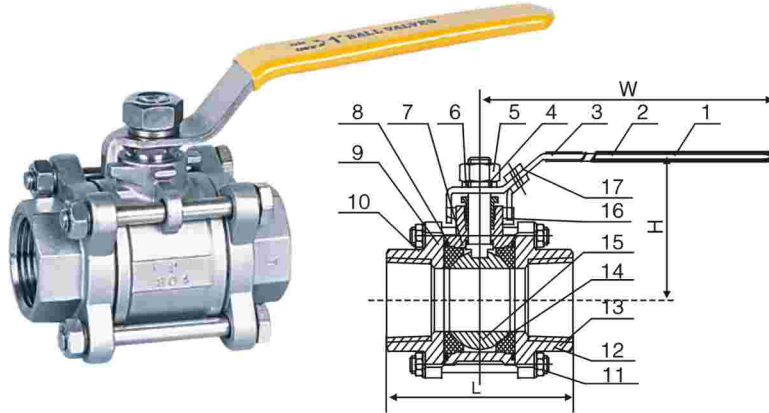


3-PC THREAD BALL VALVE

Model:BT-3F(FULL BORE 1000PSI)



MATERIAL LIST

ITEM	DESIGNATION	MATERIAL
1	PLASTIC COVER	PLANSTIC
2	HANDLE	304
3	GLAND NUT	304
4	STEM NUT	304
5	THRUSTWASHER	304
6	STEM PACKING	PTFE
7	THRUSTWASHER	PTFE
8	BODY SEAL	PTFE
9	CAP	CF8/CF8M
10	BODY	304
11	NUT	304
12	THRUSTWASHER	304
13	BODY	CF8/CF8M
14	SEAT	RPTFE
15	BALL	CF8M
16	STEM	304/316
17	LOCKING	304

Main outer size

SIZE		Unit(mm)										
SIZE	NPS	1/4	3/8	1/2	3/4	1	1 1/4	1 1/2	2	2 1/2	3	4
	DN	6	10	15	20	25	32	40	50	65	80	100
	L	65	65	75	85	95	115	125	150	175	210	260
	D	11.6	13	15	20	25	32	38	50	65	80	100
	H	44	44	46	52	57	80	88	94	130	140	165
	W	100	100	100	124	124	154	154	154	260	260	284